



**WBS2A3-59C1@WBS2B3-59C1**  
**155Mb/s Bi-Di SFP Transceiver Module with DDM function**

**Features**

- Up to 155Mbps data link
- 1310nm and 1550nm operating wavelength
- Pin photo-detector
- Up to 80km on 9/125um SMF
- Hot-pluggable SFP footprint
- LC pluggable optical interface
- Low power dissipation
- Metal enclosure, for lower EMI
- RoHs compliant and lead-free
- Single +3.3V power supply
- Support Digital Diagnostic Monitoring interface
- Compliant with SFF-8472
- Case operating temperature 0°C to 70°C

**Applications**

- SDH/STM-1, SONET/OC-3
- Fast Ethernet
- Other optical link

**Standard**

- Compliant with SFP MSA (INF-8074i)
- Compliant with ITU-T G.957 STM-1

**Ordering information**

Part No	Specification								
	Package	Data rate	Laser	Optical Power	Detect or	Sensitivity	Top	Reach	Interface
WBS2A3-59C1	SFP	155Mb/s	1310 DFB	-5~0dBm	PIN	<-34dBm	0~70°C	80KM	LC
WBS2B3-59C1	SFP	155Mb/s	1550 DFB	-5~0dBm	PIN	<-34dBm	0~70°C	80KM	LC



## Descriptions

The WBS2A3-59C1@WBS2B3-59C1 Small Form Factor Pluggable (SFP) transceivers are compatible with the Small Form Factor Pluggable Multi-Sourcing Agreement (MSA), The transceiver consists of five sections: the LD driver, the limiting amplifier, the digital diagnostic monitor, the laser and the PIN photo-detector. The module data link up to 80KM in 9/125um single mode fiber.

The optical output can be disabled by a TTL logic high-level input of Tx Disable, and the system also can disable the module via I2C. Tx Fault is provided to indicate that degradation of the laser. Loss of signal (LOS) output is provided to indicate the loss of an input optical signal of receiver or the link status with partner. The system can also get the LOS (or Link)/Disable/Fault information via I2C register access.

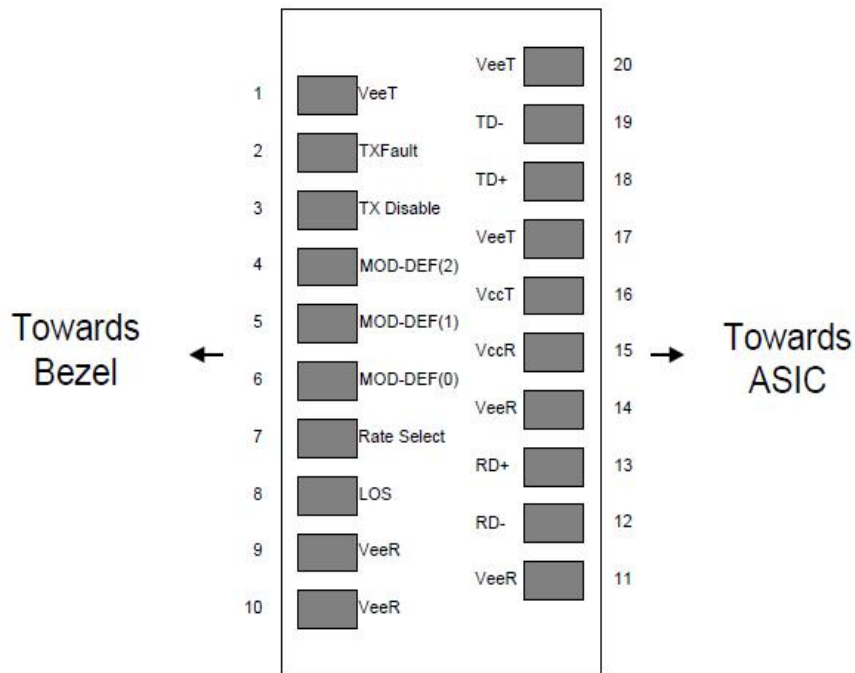
## Pin Descriptions

Pin	Symbol	Name/Description	Ref.
1	VEET	Transmitter Ground (Common with Receiver Ground)	1
2	TFAULT	Transmitter Fault.	
3	TDIS	Transmitter Disable. Laser output disabled on high or open.	2
4	MOD_DEF(2)	Module Definition 2. Data line for Serial ID.	3
5	MOD_DEF(1)	Module Definition 1. Clock line for Serial ID.	3
6	MOD_DEF(0)	Module Definition 0. Grounded within the module.	3
7	Rate Select	No connection required	4
8	LOS	Loss of Signal indication. Logic 0 indicates normal operation.	5
9	VEER	Receiver Ground (Common with Transmitter Ground)	1
10	VEER	Receiver Ground (Common with Transmitter Ground)	1
11	VEER	Receiver Ground (Common with Transmitter Ground)	1
12	RD-	Receiver Inverted DATA out. AC Coupled	
13	RD+	Receiver Non-inverted DATA out. AC Coupled	
14	VEER	Receiver Ground (Common with Transmitter Ground)	1
15	VCCR	Receiver Power Supply	
16	VCCT	Transmitter Power Supply	
17	VEET	Transmitter Ground (Common with Receiver Ground)	1
18	TD+	Transmitter Non-Inverted DATA in. AC Coupled.	
19	TD-	Transmitter Inverted DATA in. AC Coupled.	
20	VEET	Transmitter Ground (Common with Receiver Ground)	1



**Notes:**

1. Circuit ground is internally isolated from chassis ground.
2. Laser output disabled on  $T_{DIS} > 2.0V$  or open, enabled on  $T_{DIS} < 0.8V$ .
3. Should be pulled up with 4.7k – 10kohms on host board to a voltage between 2.0V and 3.6V.  
MOD\_DEF(0) pulls line low to indicate module is plugged in.
4. This is an optional input used to control the receiver bandwidth for compatibility with multiple data rates (most likely Fiber Channel 1x and 2x Rates). If implemented, the input will be internally pulled down with  $> 30k\Omega$  resistor. The input states are:  
Low (0 – 0.8V): Reduced Bandwidth  
( $>0.8V, < 2.0V$ ): Undefined  
High (2.0 – 3.465V): Full Bandwidth  
Open: Reduced Bandwidth
5. LOS is open collector output. Should be pulled up with 4.7k – 10kohms on host board to a voltage between 2.0V and 3.6V. Logic 0 indicates normal operation; logic 1 indicates loss of signal.



**Figure 2: Pin-out of Connector Block on Host Board**



## Absolute Maximum Ratings

Parameter	Symbol	Min.	Typ.	Max.	Unit	Note
Storage Temperature	Ts	-40		85	°C	
Storage Ambient Humidity	HA	5		95	%	
Power Supply Voltage	VCC	-0.5		4	V	
Signal Input Voltage		-0.3		Vcc+0.3	V	
Receiver Damage Threshold		5			dBm	

## Recommended Operating Conditions

Parameter	Symbol	Min.	Typ.	Max.	Unit	Note
Case Operating Temperature	Tcase	0		70	°C	
Ambient Humidity	HA	5		70	%	Non-condensing
Power Supply Voltage	VCC	3.13	3.3	3.47	V	
Power Supply Current	ICC			280	mA	
Power Supply Noise Rejection				100	mVp-p	100Hz to 1MHz
Data Rate			155		Mbps	TX Rate/RX Rate
Transmission Distance			80		KM	
Coupled Fiber		Single mode fiber				9/125um SMF

## Specification of Transmitter

Parameter	Symbol	Min.	Typ.	Max.	Unit	Note
Average Output Power	POUT	-5		0	dBm	1310nm
		-5		0	dBm	1550nm
Extinction Ratio	ER	8.2			dB	
Center Wavelength	$\lambda_C$		1310		nm	
			1550		nm	
Spectrum Width (RMS)	$\sigma$			1	nm	(TX:1310nm DFB)
				1	nm	(TX:1550nm DFB)
Transmitter OFF Output Power	POff			-45	dBm	
Differential Line Input Impedance	RIN	90	100	110	Ohm	
Total Jitter (Peak-Peak)	tJ			128	ps	Note (1)
Output Eye Mask		Compliant with ITU-T G.957(class 1 laser safety)				Note (2)

Note (1): Measure at 2<sup>23</sup>-1 NRZ PRBS pattern

Note (2): Transmitter eye mask definition



## Specification of Receiver

Parameter	Symbol	Min.	Typ.	Max.	Unit	Note
Input Optical Wavelength	$\lambda$ IN	1530	1550	1570	nm	
		1290	1310	1330	nm	
Receiver Sensitivity	PIN			-34	dBm	Note (1)
Input Saturation Power (Overload)	PSAT	-3			dBm	
Los Of Signal Assert	PA	-45			dBm	
Los Of Signal De-assert	PD			-35	dBm	Note (2)
LOS Hysteresis	PA-PD	0.5		7	dB	

Note (1): Measured with Light source 1550nm/1310nm, ER=10dB; BER  $\leq 10^{-12}$  @PRBS=2<sup>23</sup>-1 NRZ

Note (2): When LOS de-asserted, the RX data+/- output is High-level (fixed)

## Electrical Interface Characteristics

Parameter	Symbol	Min.	Typ.	Max.	Unit	Note
<b>Transmitter</b>						
Total Supply Current	ICC			A	mA	Note (1)
Transmitter Disable Input-High	VDISH	2		V <sub>cc</sub> +0.3	V	
Transmitter Disable Input-Low	VDISL	0		0.8	V	
Transmitter Fault Input-High	VDISL	2		V <sub>cc</sub> +0.3	V	
Transmitter Fault Input-Low	VTxFH	0		0.8	V	
<b>Receiver</b>						
Total Supply Current	ICC			B	mA	Note (1)
LOSS Output Voltage-High	VLOSH	2		V <sub>cc</sub> +0.3	V	LVTTTL
LOSS Output Voltage-Low	VLOSL	0		0.8	V	

Note (1): A (TX) + B (RX) = 280mA (Not include termination circuit)



## Digital Diagnostic Functions

WBS2A3-59C1@WBS2B3-59C1 transceivers support the 2-wire serial communication protocol as defined in the SFP MSA. It is very closely related to the E2PROM defined in the GBIC standard, with the same electrical specifications.

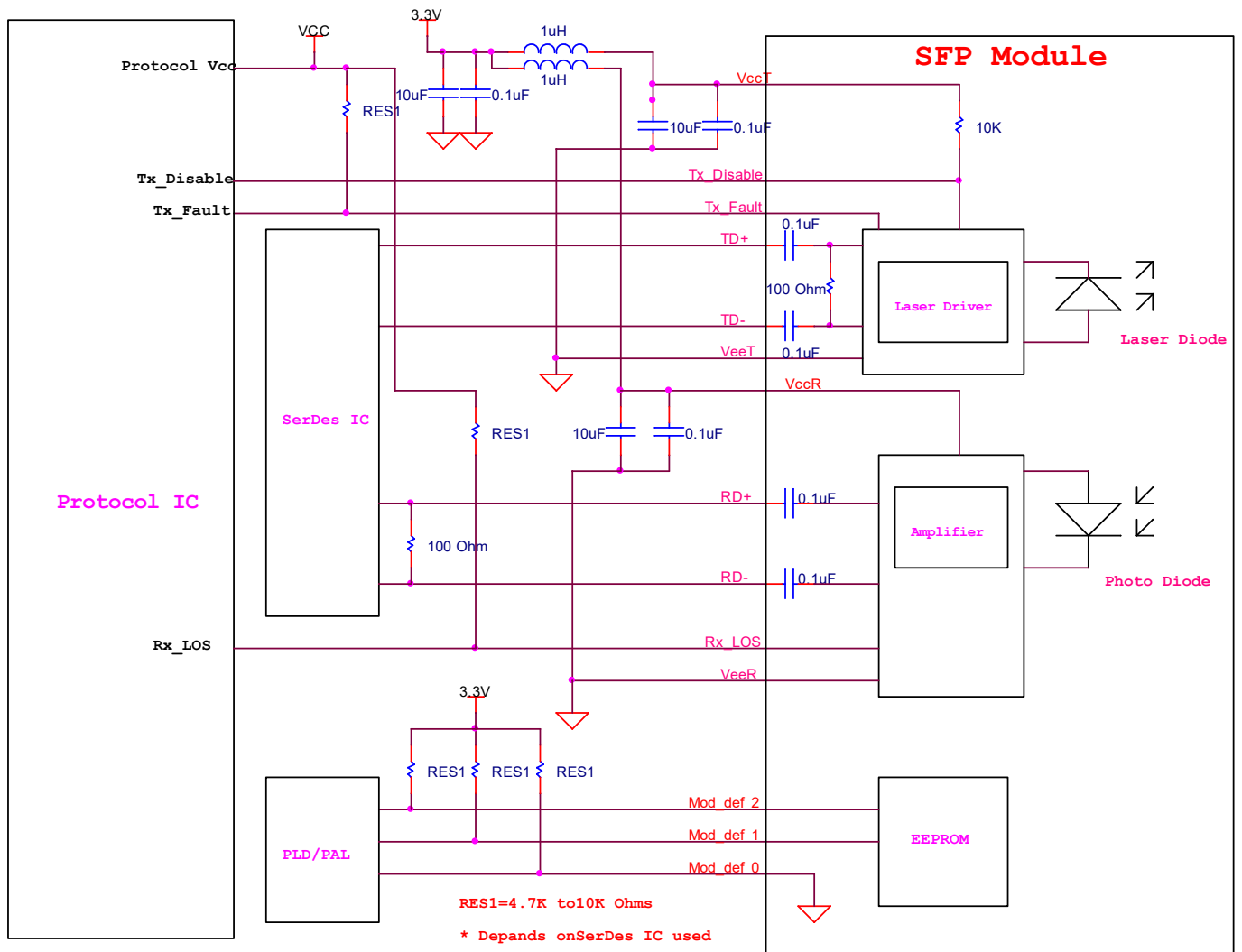
The standard SFP serial ID provides access to identification information that describes the transceiver's capabilities, standard interfaces, manufacturer, and other information. Additionally, Net-Light SFP transceivers provide a unique enhanced digital diagnostic monitoring interface, which allows real-time access to device operating parameters such as transceiver temperature, laser bias current, transmitted optical power, received optical power and transceiver supply voltage. It also defines a sophisticated system of alarm and warning flags, which alerts end-users when particular operating parameters are outside of a factory set normal range. The SFP MSA defines a 256-byte memory map in E2PROM that is accessible over a 2-wire serial interface at the 8 bit address 1010000X (A0h). The digital diagnostic monitoring interface makes use of the 8 bit address 1010001X (A2h), so the originally defined serial ID memory map remains unchanged. The interface is identical to, and is thus fully backward compatible with both the GBIC Specification and the SFP Multi Source Agreement.

The operating and diagnostics information is monitored and reported by a Digital Diagnostics Transceiver Controller (DDTC) inside the transceiver, which is accessed through a 2-wire serial interface. When the serial protocol is activated, the serial clock signal (SCL, Mod Def 1) is generated by the host. The positive edge clocks data into the SFP transceiver into those segments of the E2PROM that are not write-protected. The negative edge clocks data from the SFP transceiver. The serial data signal (SDA, Mod Def 2) is bi-directional for serial data transfer. The host uses SDA in conjunction with SCL to mark the start and end of serial protocol activation. The memories are organized as a series of 8-bit data words that can be addressed individually or sequentially.

Digital diagnostics for the WBS2A3-59C1@WBS2B3-59C1 are Externally calibrated by default.

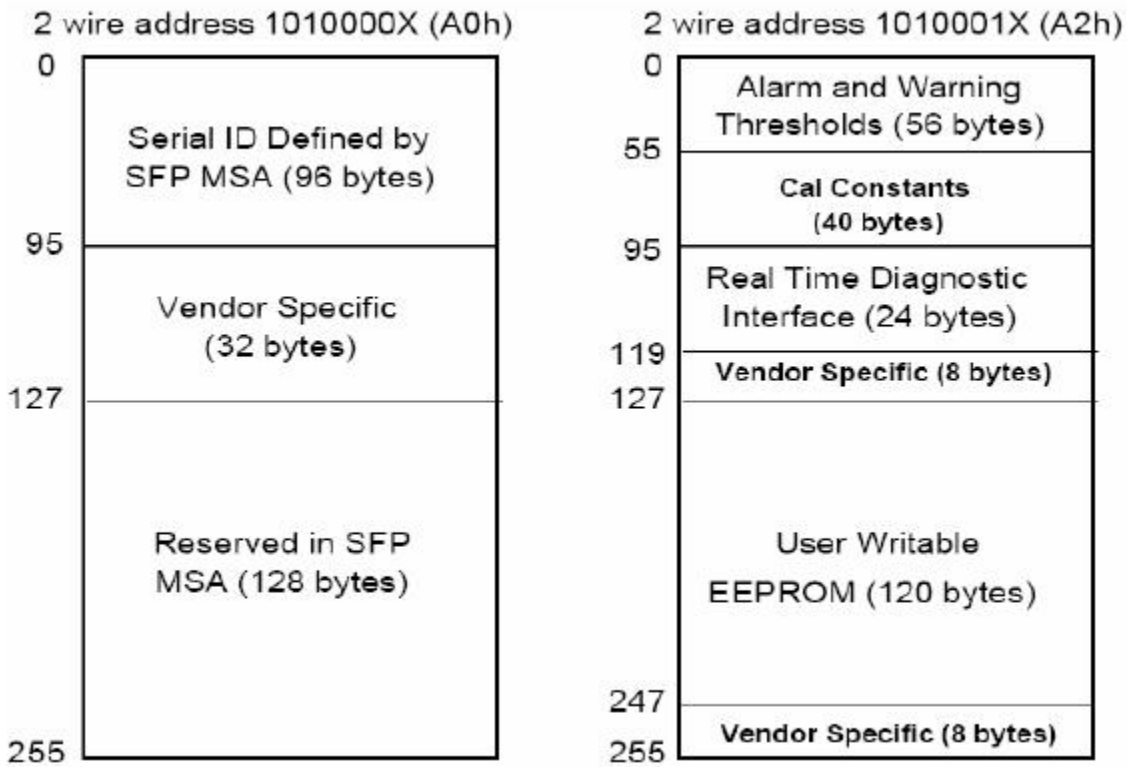


### Recommend Circuit Schematic





## Digital Diagnostic Memory Map



## EEPROM Serial ID Memory Contents

Accessing Serial ID Memory uses the 2 wire address 1010000X(A0).Memory Contents of Serial ID are shown in the table below.

WBS2A3-59C1@WBS2B3-59C1				
Data Address	Size (Bytes)	Name of Field	Contents (Hex)	Description
BASE ID FIELDS				
0	1	Identifier	03	SFP
1	1	EXT.Identifier	04	SFP function is defined by Serial ID only
2	1	Connector	07	LC Connector
3--10	8	Transceiver		Transceiver Code
11	1	Encoding	03	NRZ
12	1	BR, Norminal	01	100Mbps
13	1	Reserved	00	
14	1	Length (9um, km)	50	Transceiver transmit





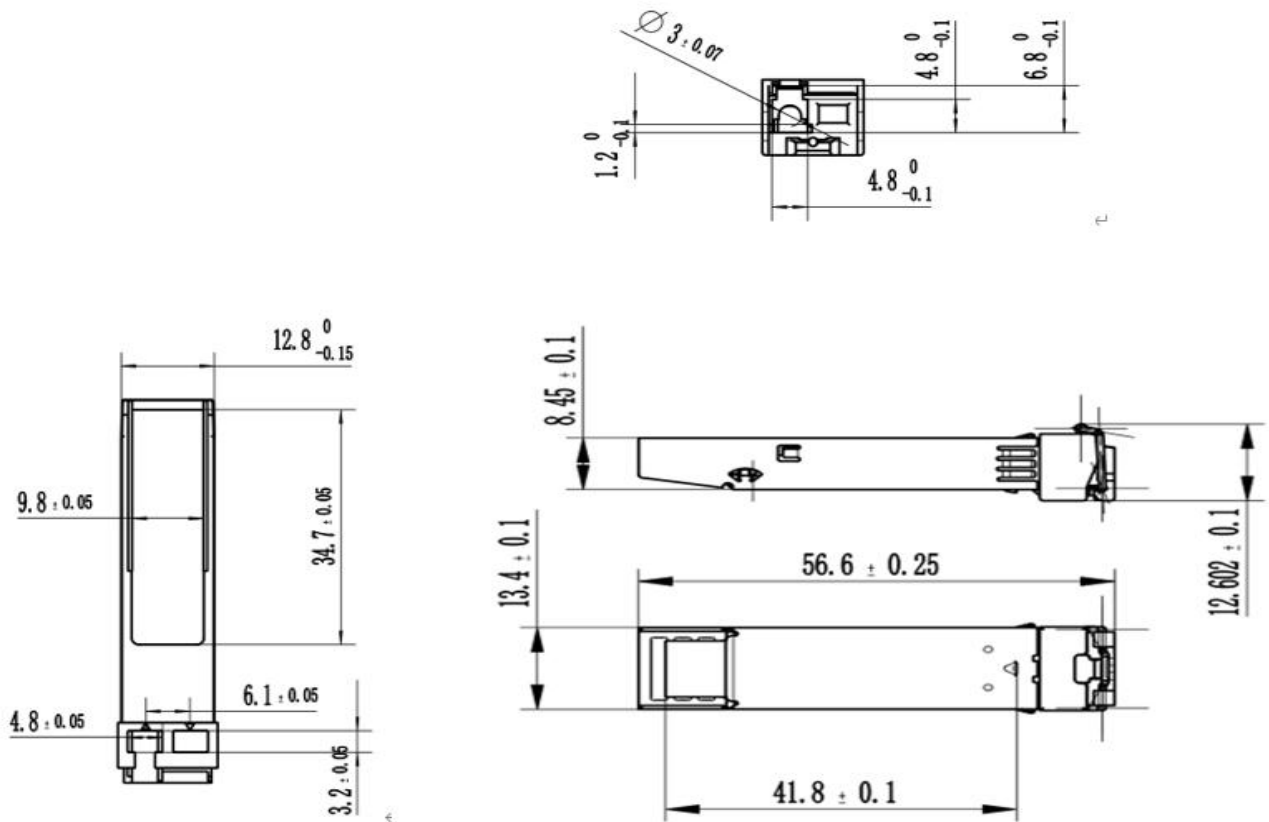
15	1	Length(9um)	FF	Distance (80km)
16	1	Length(50um)	00	Not compliant
17	1	Length(62.5um)	00	
18	1	Length(Copper)	00	
19	1	Reserved	00	
20--35	16	Vendor name		Net-Light(ASCII)
36	1	Reserved	00	
37--39	3	Vendor OUI	00 00 00	
40--55	16	Vendor PN		(ASCII)
56--59	4	Vendor REV	00 00 00 00	
60--61	2	Wavelength		Transceiver wavelength
62	1	Reserved	00	
63	1	CC_BASE	Check Sum	Check code for Base ID Fields
<b>EXTENDED ID FIELDS</b>				
64--65	2	Options	00 1A	TX_DISABLE TX_FAULT and Loss of Signal implemented
66	1	BR, max	00	
67	1	BR, min	00	
68--83	16	Vendor SN	31 32 33 34 35 36 37 38 20 20 20 20 20 20 20 20	Serial Number of transceiver(ASCII). For example :12345678
84--91	8	Data code	30 35 31 30 31 31 20 20	Data code :051011
92	1	Diagnostic Monitoring Type	58	Diagnostics (EXT.Cal)
93	1	Enhanced Options	B0	Diagnostics (Optional Alarm /warning flags ,soft TX_Fault and RX_LOS monitoring)
94	1	SFF-8472 Compliance	01	Diagnostics (SFF-8472 Rev9.3 )
95	1	CC_EXT	Check Sum	Check sum for Extended ID Field
<b>VENDOR SPECIFIC ID FIELDS</b>				
96--255	160	Vendor Specific		



## Digital Diagnostic Monitoring Information

Parameter	unit	Actual Value	Note
Transceiver Temperature	°C	+/-3	
Power Supply Voltage	%	+/-3	
Tx Bias Current	%	+/-10	
Tx Optical Power	dBm	+/-3	
Rx Optical Power	dBm	+/-3	

## Mechanical Specifications (Unit: mm)





## Regulatory Compliance

Feature	Reference	Performance
Electrostatic discharge (ESD)	IEC/EN 61000-4-2	Compatible with standards
Electromagnetic Interference (EMI)	FCC Part 15 Class B EN 55022 Class B (CISPR 22A)	Compatible with standards
Laser Eye Safety	FDA 21CFR 1040.10, 1040.11 IEC/EN 60825-1, 2	Class 1 laser product
Component Recognition	IEC/EN 60950 , UL	Compatible with standards
ROHS	2002/95/EC	Compatible with standards
EMC	EN61000-3	Compatible with standards